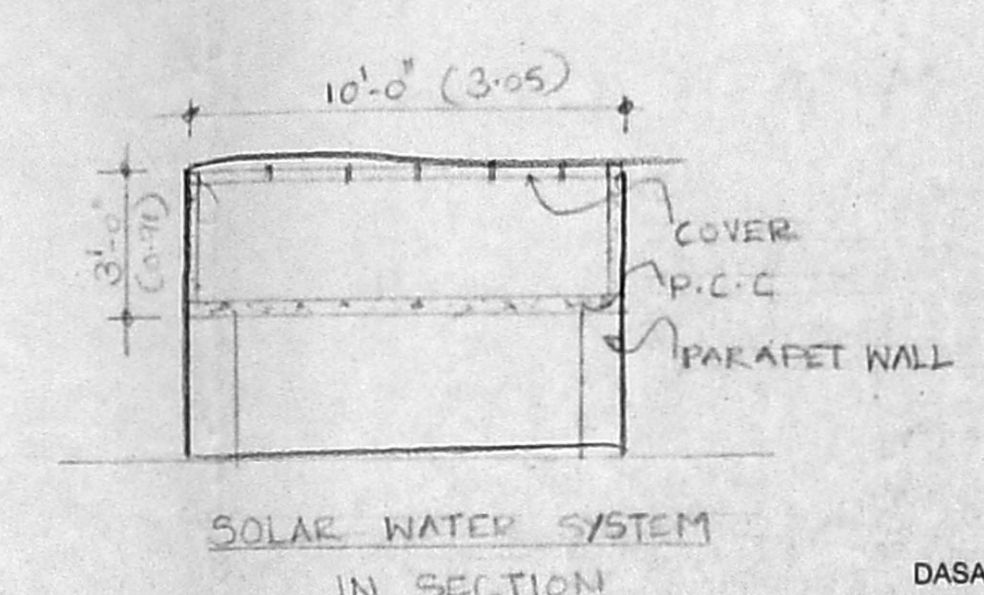


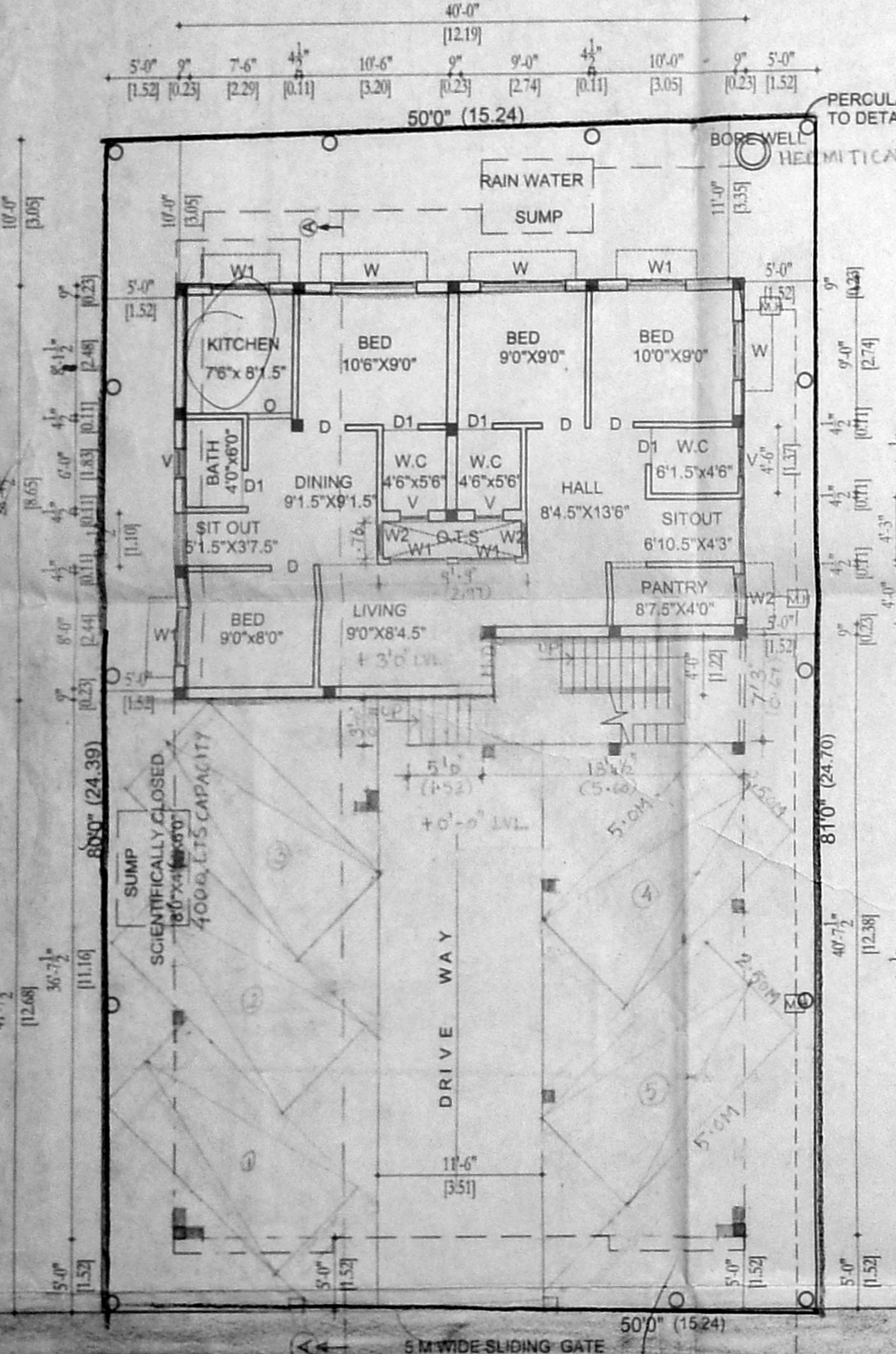
FRONT ELEVATION

Planning Permit No. **APPROVED**
 SUBJECT TO THE CONDITIONS IN THIS OFFICE LETTER SECOND No. **AP/764/2004** & **AP/106/2004**
 FOR MEMBER SECRETARY CHENNAI METROPOLITAN DEVELOPMENT AUTHORITY CHENNAI - 600 008.

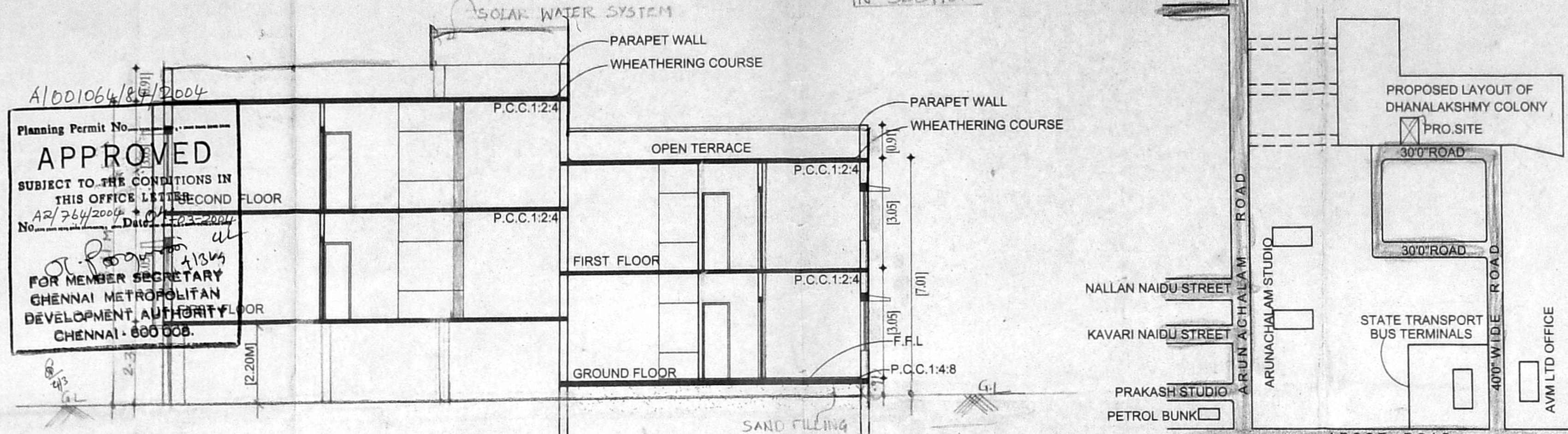
SECTION AA



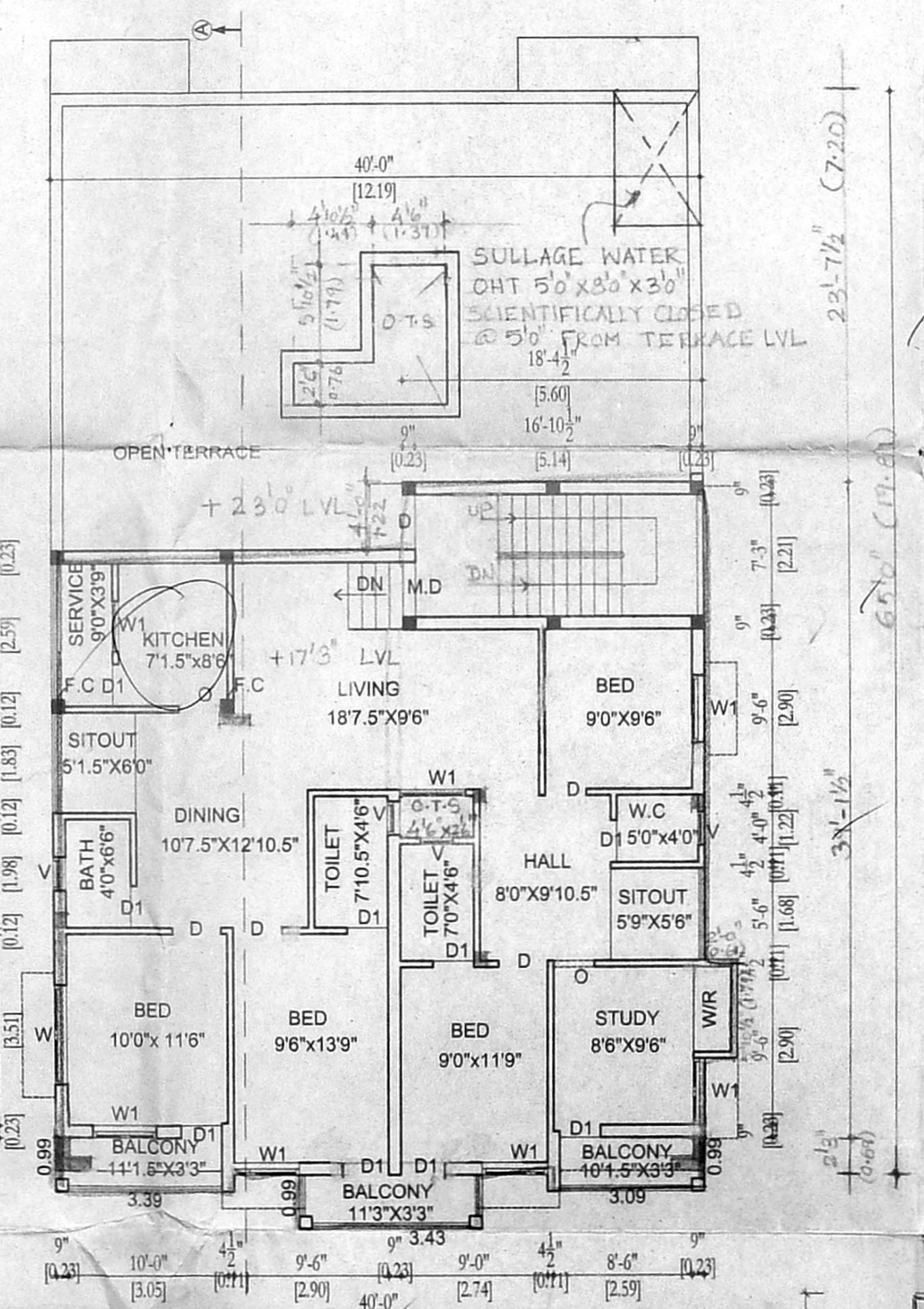
SOLAR WATER SYSTEM IN SECTION



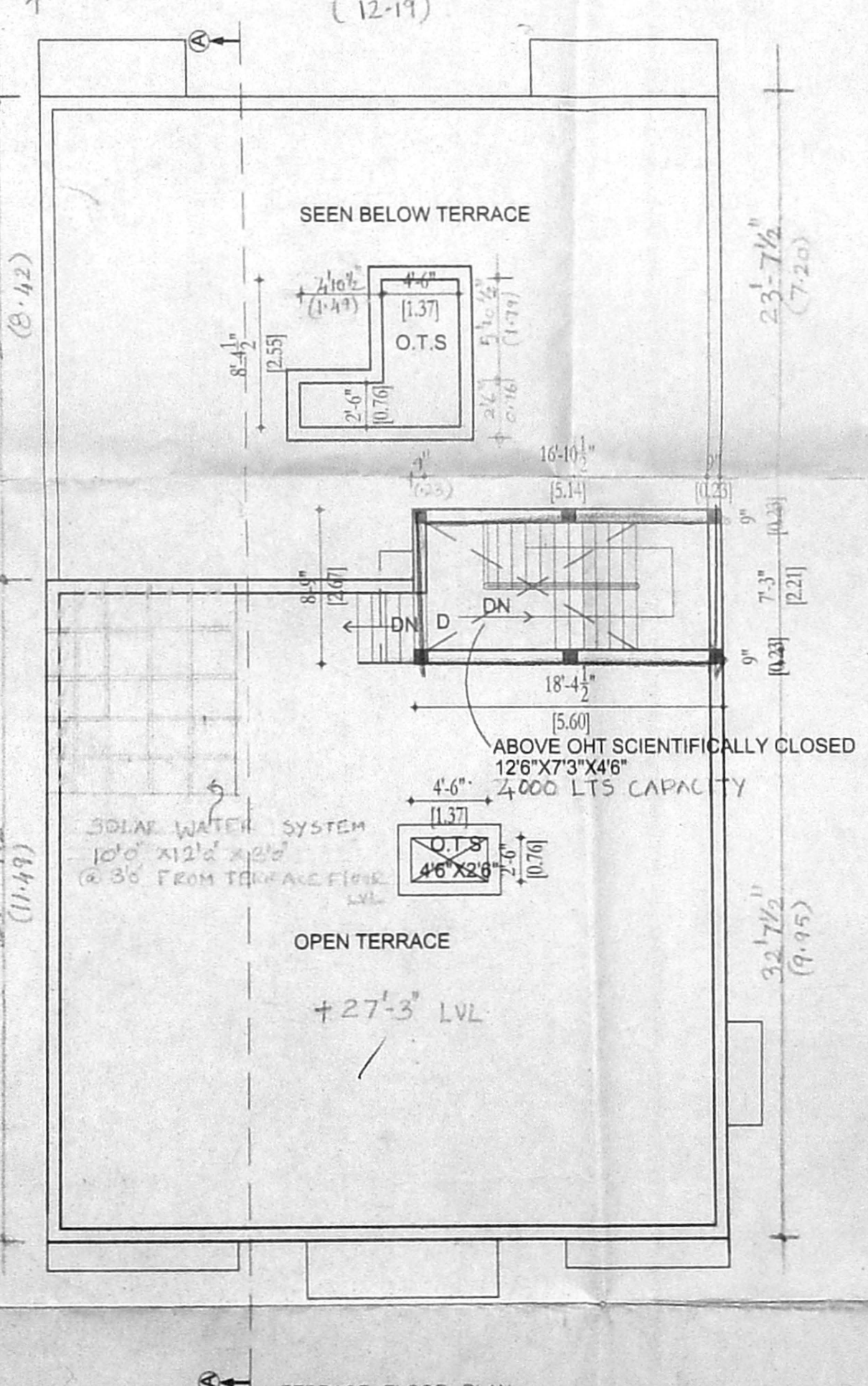
SITE PLAN CUM GROUND FLOOR PLAN



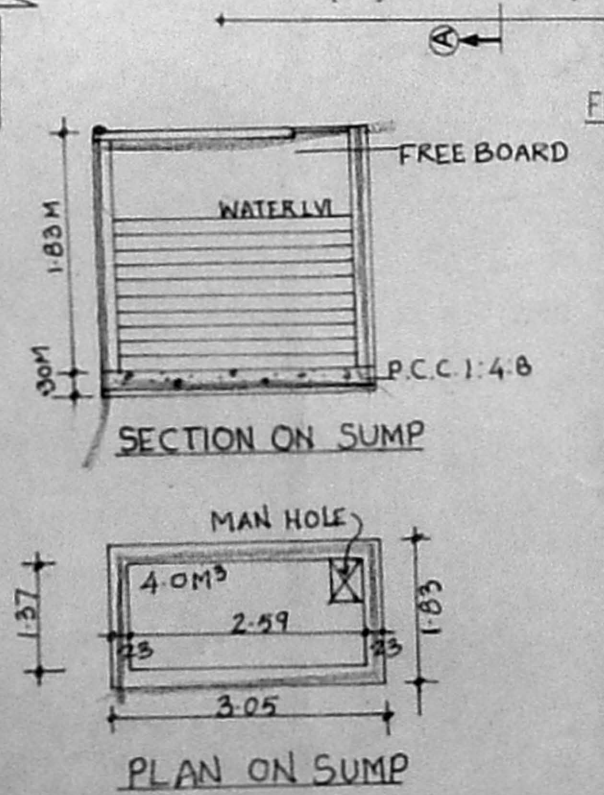
FIRST FLOOR PLAN



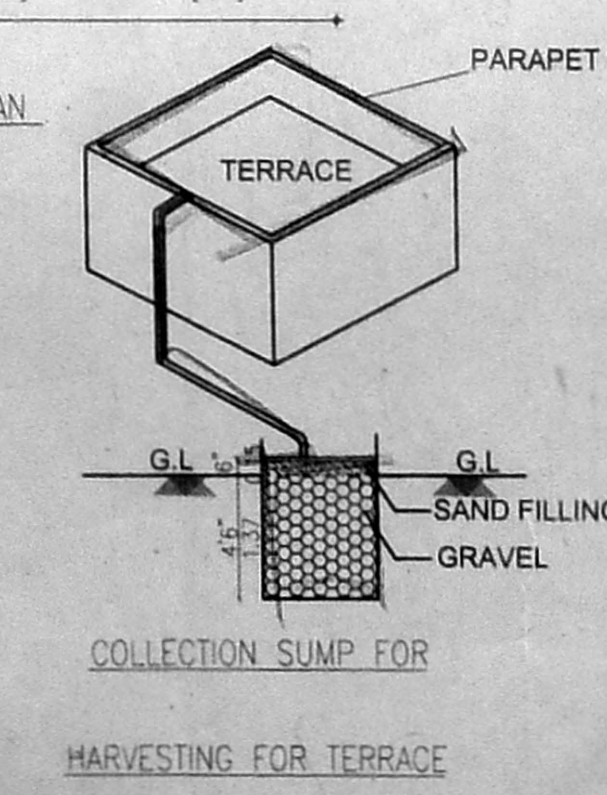
SECOND FLOOR PART



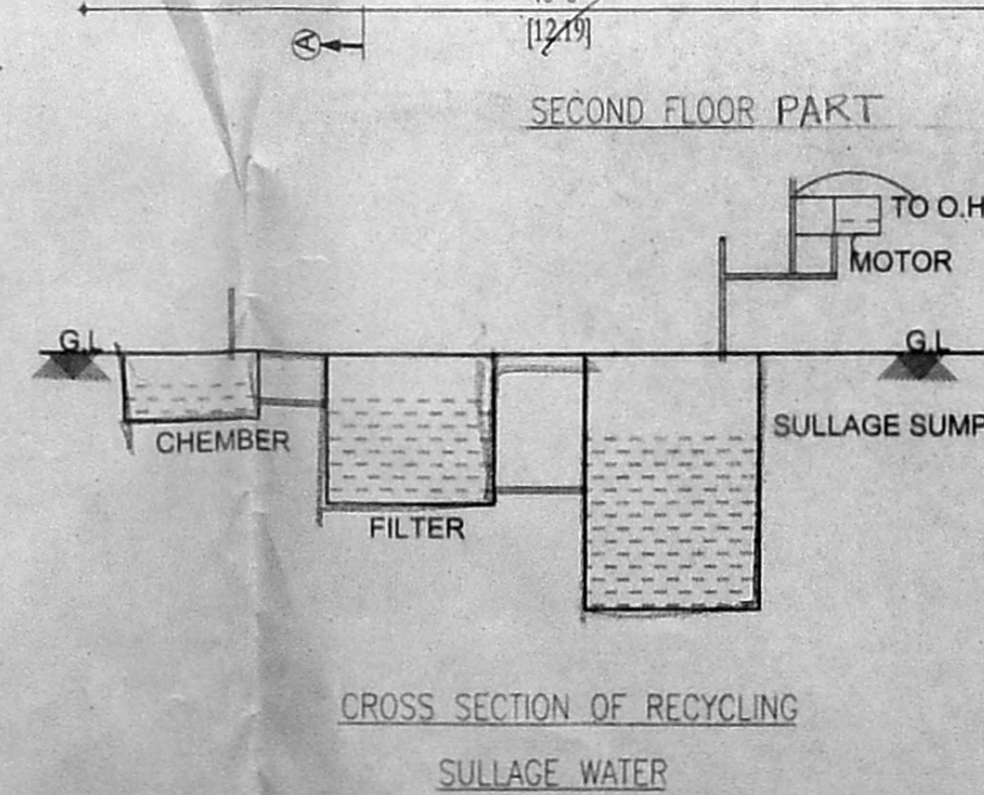
TERRACE FLOOR PLAN



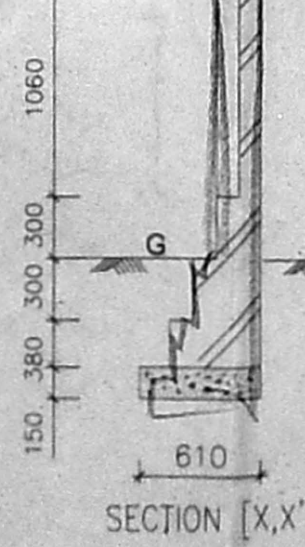
SECTION ON SUMP
 PLAN ON SUMP



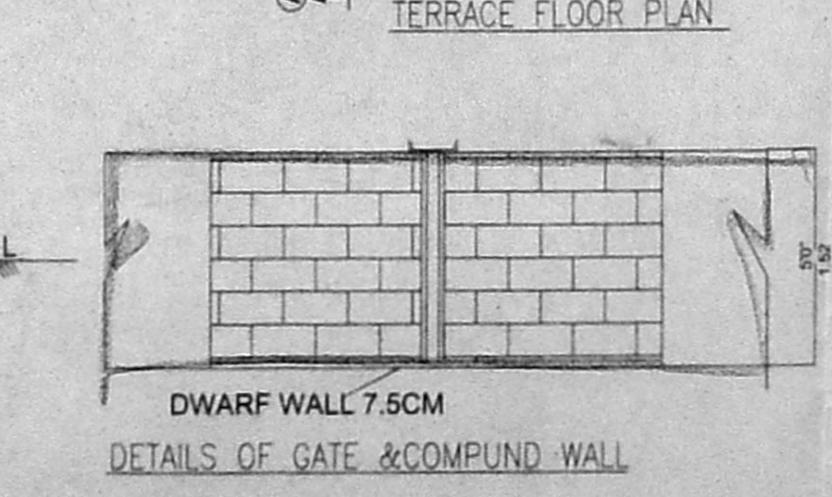
COLLECTION SUMP FOR HARVESTING FOR TERRACE



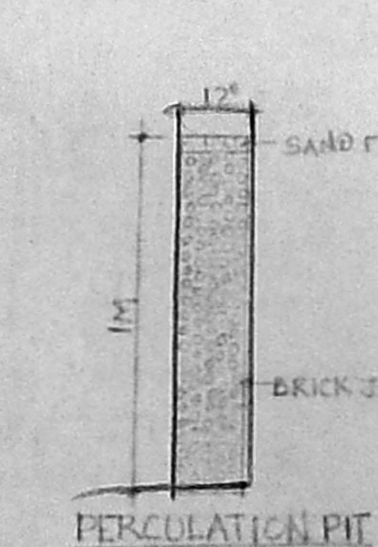
CROSS SECTION OF RECYCLING SULLAGE WATER



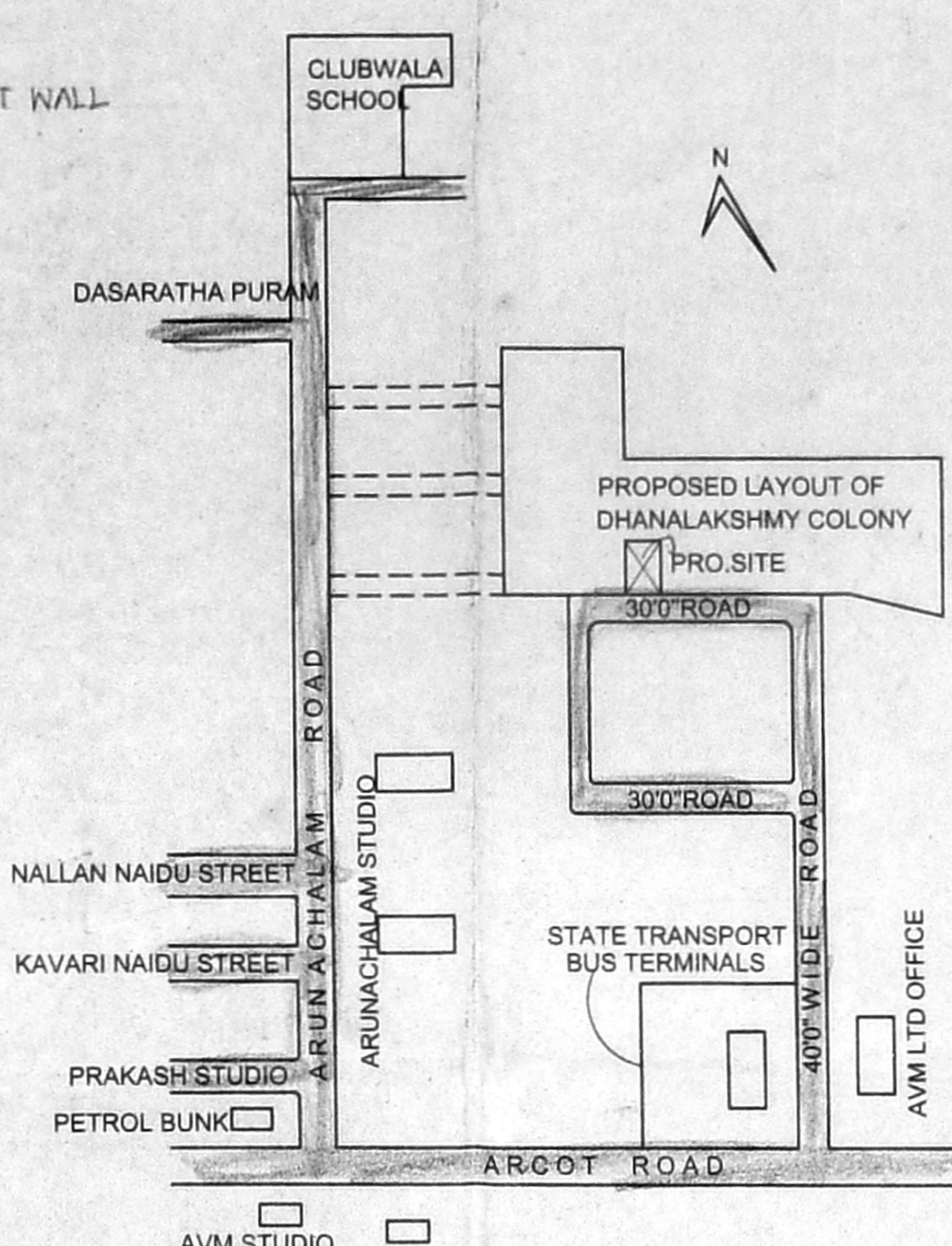
SECTION [X-X]



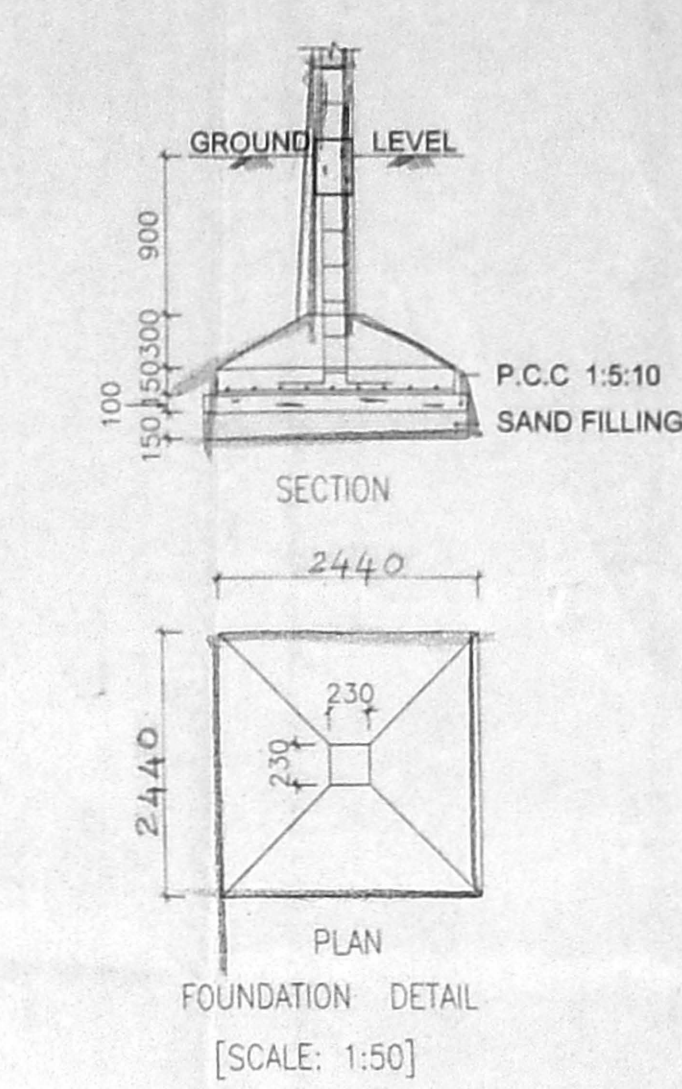
DETAILS OF GATE & COMPOUND WALL



PERCOLATION PIT



TO PO PLAN (NOT TO SCALE)



FOUNDATION DETAIL [SCALE: 1:50]

SCHEDULE OF JOINERY:

TYPE	DETAIL	WIDTH	HEIGHT
MD	C.W. PANEELED DOOR	1067	2135
S	-DO-	915	2135
D1	CMDA "A" CHANNEL No. AP/764/2004 & AP/106/2004 Scrutiny Plan P. DRAWING OPENING C.W. GLAZED VENTILATOR		
W			
W1			
O			
O1		1220	2135
V		610	1372

SPECIFICATION:

FOUNDATION : R.C.C. COLUMN FOOTINGS
 BRICK WORK : C.M 1:6 FOR SUPER STRUCTURE
 PLASTERING : C.M 1:5 FOR WALLS & 1:3 FOR CEILING
 FLOORING : MOSAIC FLOORING
 CEMENT PAINT : 2 COAT FOR WALLS & 1 EXTRA COAT FOR CEILING
 R.C.C. : 1:2:4 FOR SLABS & UNITS
 WOOD WORK : ALL WOOD WORKS IN BEST QUALITY TIMBER
 WEATHERING : B.JELLY LIME MORTAR OVER ROOF COURSE
 SLAB ONE LAYER OF COUNTRY TILES

COLOUR INDEX:

PROPOSAL
 ROAD/STREET
 BOUNDARY/SITE

AREA STATEMENT SQ. M

PLOT EXTENT:	373.93
STILT/GROUND FLOOR	103.18
FIRST FLOOR	242.27
SECOND FLOOR (PARTLY ABOVE STILT)	151.07
TOTAL BUILTUP AREA	496.52
PLOT COVERAGE:	64.79%
F.S.I	1.33

PROPOSED RESIDENTIAL AT
 PLOT NO: 4, NEW S.NO: 27, T-5-NO. 75
 VENKATESWARA STREET, BLOCK NO: 24,
 DHANALAKSHMI COLONY,
 110, SALIGRAMAM VILLAGE.

SCALE [1:100]
 DATE
 DRAWN

K. Selvam
 SIGNATURE OF OWNER

K. SELVAM, B.E., AMIE, CEAN (I.I.V.)
 Consulting Civil Engineer Chartered Engineer
 Approved Valuer & Licensed Surveyor,
 Class I Reg No. 600/2003/2004
 Door No. 11/17, Thiruvalluvar Salai,
 Magappair East, Chennai-600 052.
 Ph. 26562030, Cell. 98412 82050
 (GREEN CHANNEL FEE NOT APPLICABLE)
 LICENSED SURVEYOR